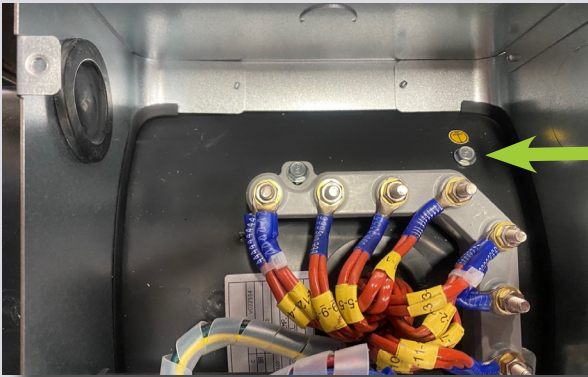


GROUND JUMPER INSTALLATION GUIDE

POWER OFF GENERATOR AND DISCONNECT ALL SHORE POWER



Install one end of the jumper onto the lone bolt with the ground indicator nearby.

Install the other end on the neutral (N) terminal. This terminal is the 4th from the left and the 4th from the bottom. If needed, please refer to diagram below.

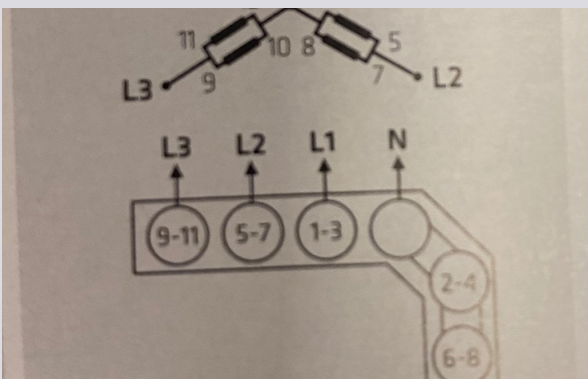
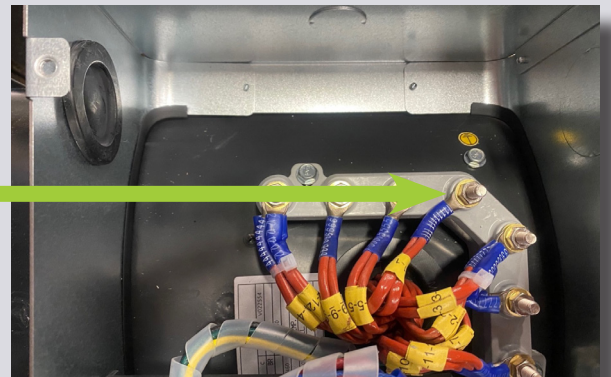


Diagram indicating neutral terminal (Letter N)

The correctly installed jumper will look like this.

